

# Protection in a very small package

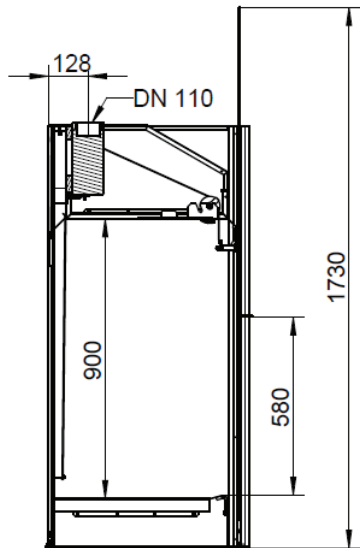


Pharmacy fume cupboards are space-saving and versatile small fume cupboards specifically designed for handling hazardous substances in pharmacies.



- ✓ Certified compliant with DIN 12924 Part 4
- ✓ Fulfil the requirements of Section 4 paragraph 2 of the German Ordinance on the Operation of Pharmacies
- ✓ For working safely with dust-forming preparations and volatile chemicals in small laboratories
- ✓ Integrated air flow monitoring
- ✓ Connection to customer-provided fume extraction system
- ✓ Fully adjustable polyacrylic sash





Width	900	900	900	900
Front height	1350	1350	1350	1350
Depth	640	640	640	640
Usable space width	795	795	795	795
Usable space height	900	900	900	900
Usable space depth	570	570	570	570
Fan	X	-	-	X
Services	X	X	-	-
Minimum required volume flow rate	250	250	250	250

Dimensions [mm] / Volume flow rate [m<sup>3</sup>/h]

\*\* Alarm value